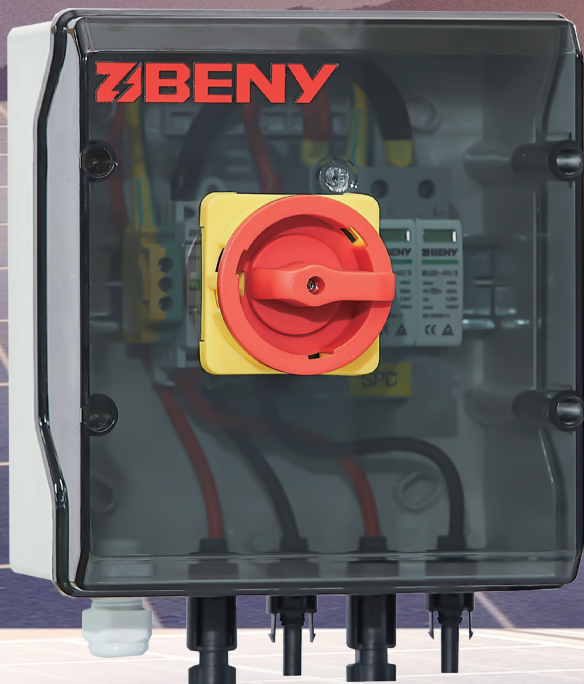


ZBENY

KEEP
INNOVATING

KEEP
INNOVATING

Easier and Safer Operating SERIES



600V 1000V Solar DC String Box



The Best DC Components for The Best Result.

ABOUT ZJBENY

Top 1 manufacturer of DC components and combiner boxes in China. With more than 10 years experience in solar DC solutions designing, producing and testing.

We are one of the manufacturers own the DC electrical cycle tester in China, the test equipment is important for keeping the DC switch at high quality level.

The first DC switch listed by UL508i.

The standard DC isolator recommended by Clean Energy Council Australia.

ZJBENY is supplying reliable DC components to top inverter companies and EPCs worldwide.

1000V 1500V solar solutions DC side and AC side is available.

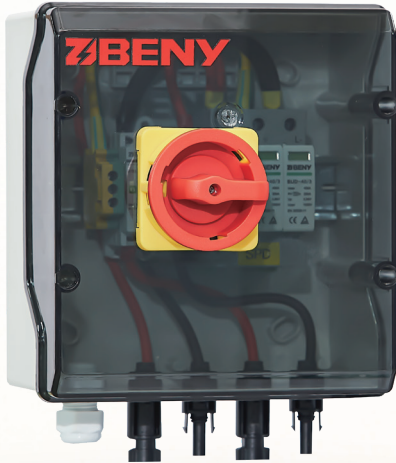


1 input 1 output 600VDC/1000VDC



IP66 DC string box is designed for 1 string PV system.

For surge protection and isolating at solar DC side.



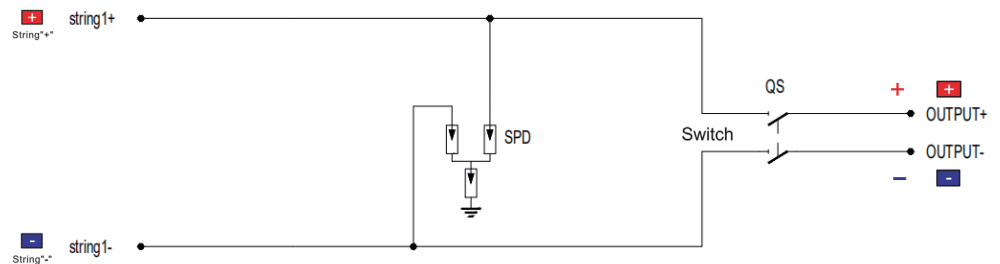
DC Isolator Switch

- UL508i approval, IEC60947-3 PV2
Cut off reverse current and over current
- Door clutch easier operating and lockable handle
- Patented DC arc extinguish chamber
- Magnetic Steels inside ensure rapid and safe extinguishing

DC SPD

- New IEC 61643, UL1449
- Designed for solar PV protection
- Higher capacity In 20KA (IEC, UL)
- Response time <25ns

Specification		Enclosure	
Model Number	BHS-1/1	Material	Polycarbonate
Input	1 string	Degree of Protection	IP66
Output	1 string	Impacts	IK10
Max Voltage	600V	Dimensions (W*H*D)	200*185*200
Short Circuit current per Input (Isc)	15A-30A (changeable)	Input Cable Glands	PG09, 2.5-16
Max Current Output	16A	Output Cable Gland	PG21, 2.5-16
		Environment	
		Operating temperature	-25°C - +60°C



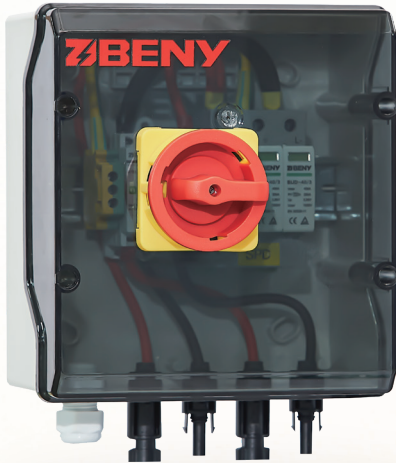


2 input 1 output 600VDC/1000VDC



IP66 DC string box is designed for 2string PV system.

For surge protection and isolating at solar DC side.



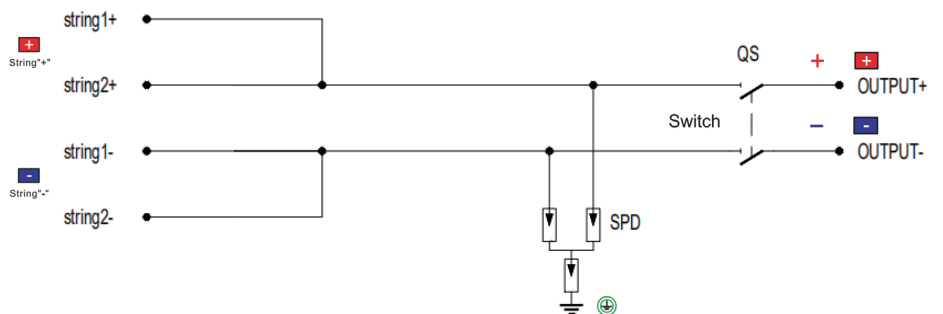
DC Switch

- UL508i approval, IEC60947-3 PV2
Cut off reverse current and over current
- Door clutch easier operating and lockable handle
- Patented DC arc extinguish chamber
- Magnetic Steels inside ensure rapid and safe extinguishing

DC SPD

- New IEC 61643, UL1449
- Designed for solar PV protection
- Higher capacity In 20KA (IEC, UL)
- Response time <25ns

Specification		Enclosure	
Model Number	BHS-2/1	Material	Polycarbonate
Input	2strings	Degree of Protection	IP66
Output	1 string	Impacts	IK10
Max Voltage	1000V	Dimensions (W*H*D)	200*185*200
Short Circuit current per Input (Isc)	15A-30A (changeable)	Input Cable Glands	PG09, 2.5-16mm
Max Current Output	32A	Output Cable Gland	PG21, 2.5-16mm
		Environment	
		Operating temperature	-25°C - +60°C



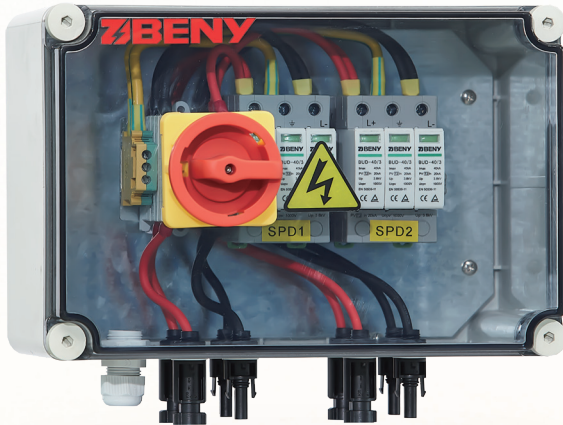


2 input 2 output 600VDC/1000VDC



IP66 DC string box is designed for 2string PV system.

For surge protection and isolating at solar DC side.



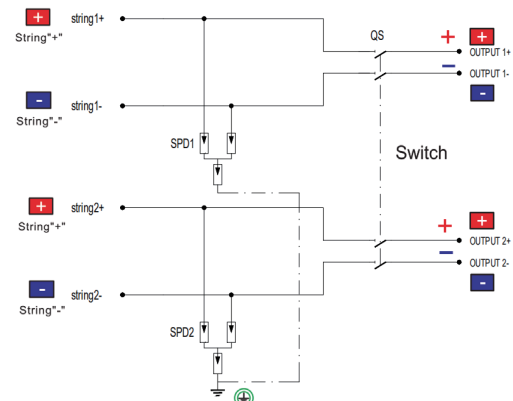
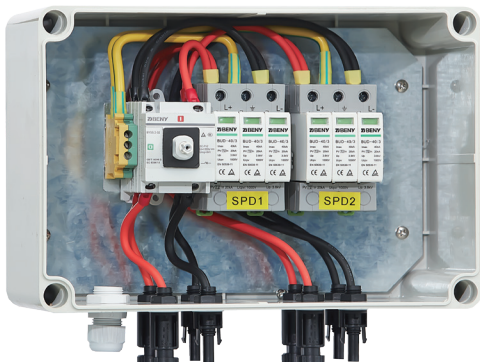
DC Switch

- UL508i approval, IEC60947-3 PV2
Cut off reverse current and over current
- Door clutch easier operating and lockable handle
- Patented DC arc extinguish chamber
- Magnetic Steels inside ensure rapid and safe extinguishing

DC SPD

- New IEC 61643, UL1449
- Designed for solar PV protection
- Higher capacity In 20KA (IEC, UL)
- Response time <25ns

Specification			Enclosure	
Model Number	BHS-2/2		Material	Polycarbonate
Input	2 strings		Degree of Protection	IP66
Output	2 strings		Impacts	IK10
Max Voltage	600V	1000V	Dimensions (W*H*D)	200*300*150
Short Circuit current per Input (Isc)	15A-30A (changeable)		Input Cable Glands	PG09, 2.5-16
Max Current Output	50A	50A	Output Cable Gland	PG21, 2.5-16
			Environment	
			Operating temperature	-25°C - +60°C





3 input 1 output 1000VDC



IP66 DC string box is designed for 3 string PV system. For current protection ,surge protection and isolating at solar DC side.

DC Switch

- UL508i approval
- IEC60947-3 PV2 Cut off reverse current and over current
- Door clutch easier operating and lockable handle
- Patented DC arc extinguish chamber
- Magnetic Steels inside ensure rapid and safe extinguishing

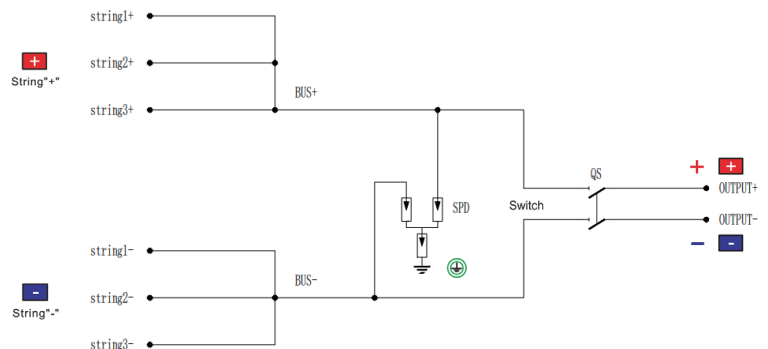
DC SPD

- New IEC 61643, UL1449
- Designed for solar PV protection
- Higher capacity In 20KA (IEC, UL)
- Response time <25ns

DC Fuse

- IEC60947-3
- LED Indicator for reminding fuse replacement
- Touch –safe

Specification		Enclosure	
Model Number	BHS-3/1	Material	Polycarbonate
Input	3 strings	Degree of Protection	IP66
Output	1 string	Impacts	IK10
Max Voltage	1000V	Dimensions (W*H*D)	280*210*120
Short Circuit current per Input (Isc)	15A-30A (changeable)	Input Cable Glands	PG09, 2.5-16
Max Current Output	50A	Output Cable Gland	PG21, 2.5-16
		Environment	
		Operating temperature	-25°C – +60°C

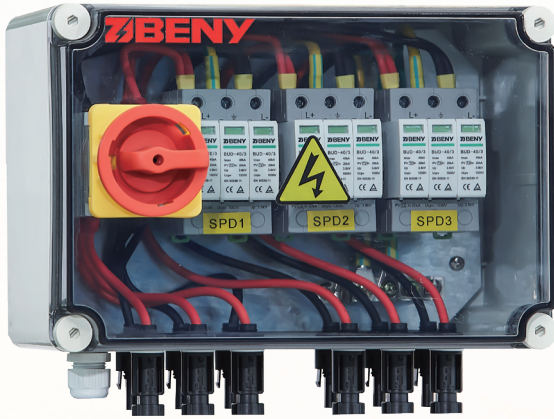




3 input 3 output 1000VDC



IP66 DC string box is designed for 3 string PV system.
For surge protection and isolating at solar DC side.



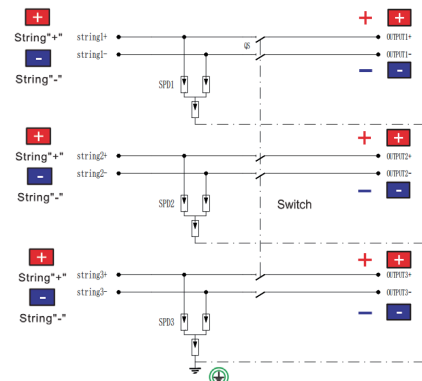
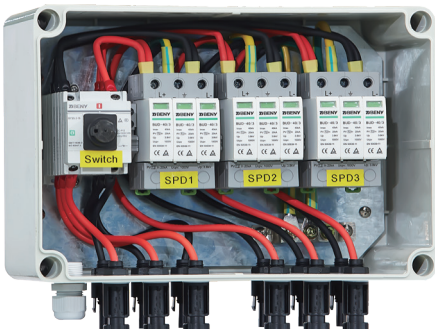
DC Switch

- UL508i approval, IEC60947-3 PV2 Cut off reverse current and over current
- Door clutch easier operating and lockable handle
- Patented DC arc extinguish chamber
- Magnetic Steels inside ensure rapid and safe extinguishing

DC SPD

- New IEC 61643, UL1449
- Designed for solar PV protection
- Higher capacity In 20KA (IEC, UL)
- Response time <25ns

Specification			Enclosure	
Model Number	BHS-3/3		Material	Polycarbonate
Input	3 strings		Degree of Protection	IP66
Output	3 strings		Impacts	IK10
Max Voltage	600V	1000V	Dimensions (W*H*D)	200*300*150
Short Circuit current per Input (Isc)	15A-30A (changeable)		Input Cable Glands	PG09, 2.5-16
Max Current Output	50A	50A	Output Cable Gland	PG21, 2.5-16
			Environment	
			Operating temperature	-25°C - +60°C



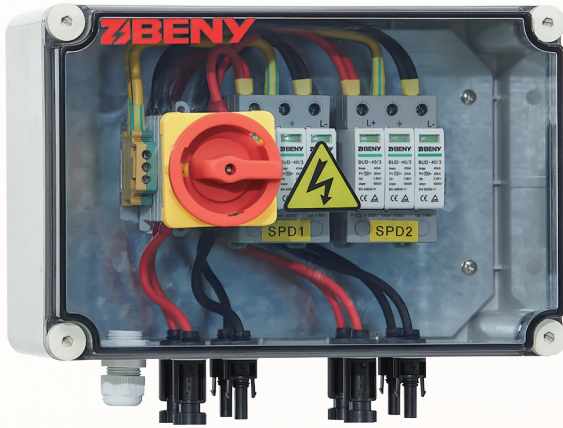


4 input 2 output 1000VDC



IP66 DC string box is designed for 4 string PV system.

For surge protection and isolating at solar DC side.



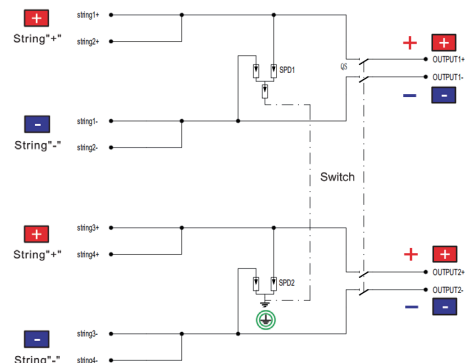
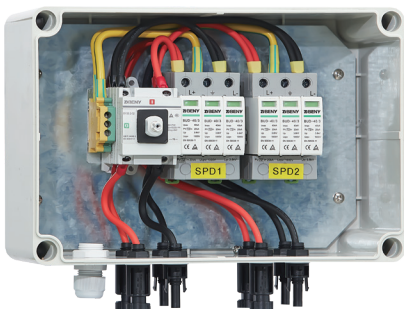
DC Switch

- UL508i approval, IEC60947-3 PV2 Cut off reverse current and over current
- Door clutch easier operating and lockable handle
- Patented DC arc extinguish chamber
- Magnetic Steels inside ensure rapid and safe extinguishing

DC SPD

- New IEC 61643, UL1449
- Designed for solar PV protection
- Higher capacity In 20KA (IEC, UL)
- Response time <25ns

Specification		Enclosure	
Model Number	BHS-4/2	Material	Polycarbonate
Input	4 strings	Degree of Protection	IP66
Output	2 strings	Impacts	IK10
Max Voltage	1000V	Dimensions (W*H*D)	200*300*150
Short Circuit current per Input (Isc)	15A-30A (changeable)	Input Cable Glands	PG09, 2.5-16
Max Current Output	50A	Output Cable Gland	PG21, 2.5-16
		Environment	
		Operating temperature	-25°C - +60°C



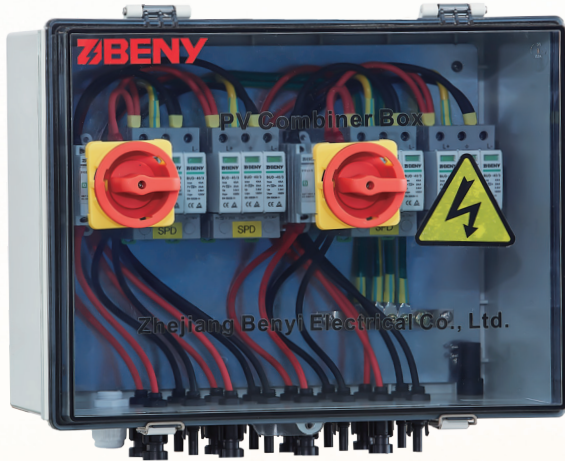


4 input 4 output 1000VDC



IP66 DC string box is designed for 4 string PV system.

For surge protection and isolating at solar DC side.



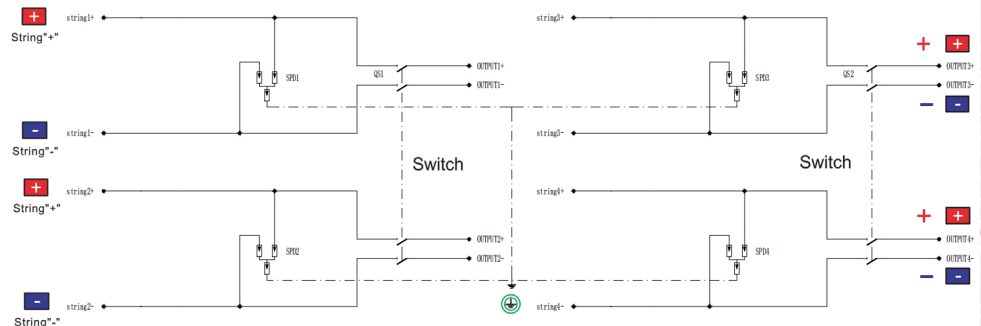
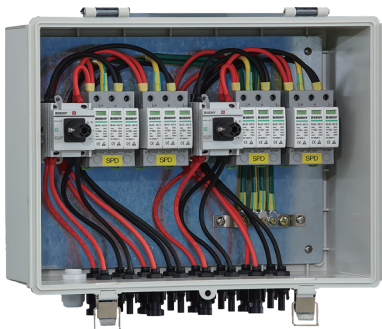
DC Switch

- UL508i approval, IEC60947-3 PV2 Cut off reverse current and over current
- Door clutch easier operating and lockable handle
- Patented DC arc extinguish chamber
- Magnetic Steels inside ensure rapid and safe extinguishing

DC SPD

- New IEC 61643, UL1449
- Designed for solar PV protection
- Higher capacity In 20KA (IEC, UL)
- Response time <25ns

Specification		Enclosure	
Model Number	BHS-4/4	Material	Polycarbonate
Input	4 strings	Degree of Protection	IP66
Output	4 strings	Impacts	IK10
Max Voltage	1000V	Dimensions (W*H*D)	300*400*180
Short Circuit current per Input (Isc)	15A-30A (changeable)	Input Cable Glands	PG09, 2.5-16
Max Current Output	50A	Output Cable Gland	PG21, 2.5-16
		Environment	
		Operating temperature	-25°C - +60°C





6 input 2 output 1000VDC



IP66 DC string box is designed for 6 string PV system.

For surge protection and isolating at solar DC side.

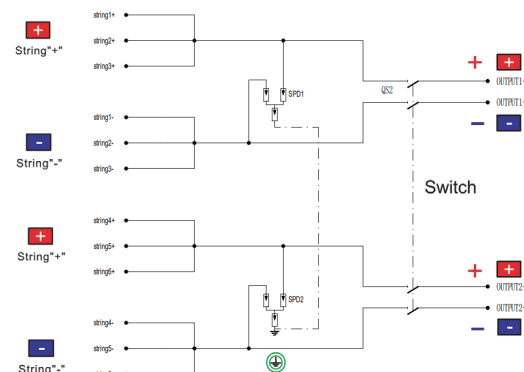
DC Switch

- ☑ UL508i approval, IEC60947-3 PV2 Cut off reverse current and over current
- ☑ Door clutch easier operating and lockable handle
- ☑ Patented DC arc extinguish chamber
- ☑ Magnetic Steels inside ensure rapid and safe extinguishing

DC SPD

- ☑ New IEC 61643, UL1449
- ☑ Designed for solar PV protection
- ☑ Higher capacity In 20KA (IEC, UL)
- ☑ Response time <25ns

Specification		Enclosure	
Model Number	BHS-6/2	Material	Polycarbonate
Input	6 strings	Degree of Protection	IP66
Output	2 strings	Impacts	IK10
Max Voltage	1000V	Dimensions (W*H*D)	360*290*130
Short Circuit current per Input (Isc)	15A-30A (changeable)	Input Cable Glands	PG09, 2.5-16
Max Current Output	50A	Output Cable Gland	PG21, 2.5-16
		Environment	
		Operating temperature	-25°C – +60°C





6 input 3 output 1000VDC



IP66 DC string box is designed for 6 string PV system.

For surge protection and isolating at solar DC side.

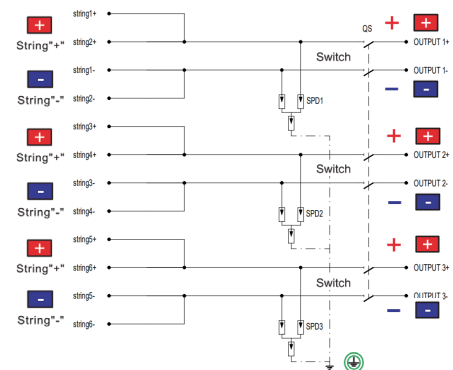
DC Switch

- UL508i approval, IEC60947-3 PV2 Cut off reverse current and over current
- Door clutch easier operating and lockable handle
- Patented DC arc extinguish chamber
- Magnetic Steels inside ensure rapid and safe extinguishing

DC SPD

- New IEC 61643, UL1449
- Designed for solar PV protection
- Higher capacity In 20KA (IEC, UL)
- Response time <25ns

Specification		Enclosure	
Model Number	BHS-6/3	Material	Polycarbonate
Input	6 strings	Degree of Protection	IP66
Output	3 strings	Impacts	IK10
Max Voltage	1000V	Dimensions (W*H*D)	545*305*150
Short Circuit current per Input (Isc)	15A-30A (changeable)	Input Cable Glands	PG09, 2.5-16
Max Current Output	50A	Output Cable Gland	PG21, 2.5-16
		Environment	
		Operating temperature	-25°C - +60°C





6 input 6 output 1000VDC



IP66 DC string box is designed for 6 string PV system.

For surge protection and isolating at solar DC side.

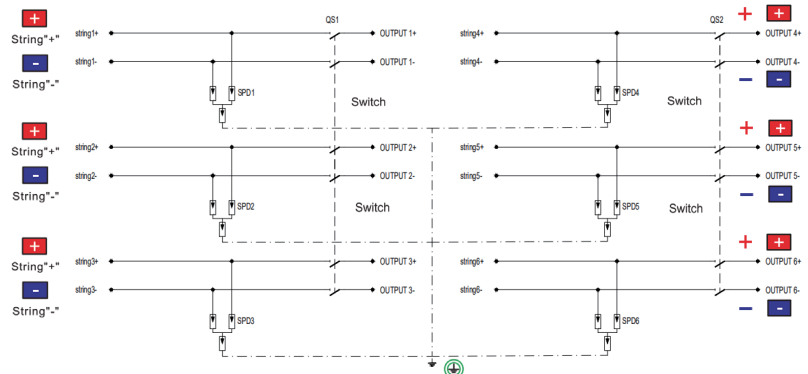
DC Switch

- UL508i approval, IEC60947-3 PV2 Cut off reverse current and over current
- Door clutch easier operating and lockable handle
- Patented DC arc extinguish chamber
- Magnetic Steels inside ensure rapid and safe extinguishing

DC SPD

- New IEC 61643, UL1449
- Designed for solar PV protection
- Higher capacity In 20KA (IEC, UL)
- Response time <25ns

Specification		Enclosure	
Model Number	BHS-6/6	Material	Polycarbonate
Input	6 strings	Degree of Protection	IP66
Output	6 strings	Impacts	IK10
Max Voltage	1000V	Dimensions (W*H*D)	400*600
Short Circuit current per Input (Isc)	15A-30A (changeable)	Input Cable Glands	PG09, 2.5-16
Max Current Output	50A	Output Cable Gland	PG21, 2.5-16
		Environment	
		Operating temperature	-25°C - +60°C





8 input 8 output 1000VDC



IP66 DC string box is designed for 8 string PV system.

For surge protection and isolating at solar DC side.

DC Switch

- UL508i approval, IEC60947-3 PV2 Cut off reverse current and over current
- Door clutch easier operating and lockable handle
- Patented DC arc extinguish chamber
- Magnetic Steels inside ensure rapid and safe extinguishing

DC SPD

- New IEC 61643, UL1449
- Designed for solar PV protection
- Higher capacity In 20KA (IEC, UL)
- Response time <25ns

Specification		Enclosure	
Model Number	BHS-8/8	Material	Polycarbonate
Input	8 strings	Degree of Protection	IP66
Output	8 strings	Impacts	IK10
Max Voltage	1000V	Dimensions (W*H*D)	400*600
Short Circuit current per Input (Isc)	15A-30A (changeable)	Input Cable Glands	PG09, 2.5-16
Max Current Output	50A	Output Cable Gland	PG21, 2.5-16
		Environment	
		Operating temperature	-25°C - +60°C

